



Pre Purchase Inspection

1999 HONDA LEGEND

Reg:TEST

Technical Centre: Auckland Mobile (09) 414-1465

Inspection Date: 15-Aug-2011

Mobile Inspection: No

Inspection Report No.:

11786772-(2)

Revision #2 on 15/08/2011

Report For

Name: AA CUSTOMER

Membership Number:

Address: 5, Main Street, Your Town

Contact Phone: 09 555 1234

Mobile:

Fax:

Email: yourname@gmail.com

Vehicle Description

Kms: 127,678

Chassis:

Engine Size:

Origin: New Zealand New

VIN: 7AT254637G95U6857

No.of Cyls: 6

Reg Until: 14-Jun-2012

Colour: Silver

Transmission: Automatic

*** WOF:** 8-Feb-2012

Seating: 5

Drive Train: Front Wheel Drive

Year First Reg: 1999

Body Type: Sedan

Fuel: Petrol

RUC: Expiry:

Engine Aspiration: Fuel Injected

Modified: No

* It is a legal requirement that a Warrant of Fitness be less than one month old when a vehicle is sold.

General Condition

Grade 2: May require unplanned maintenance and repair.

Inspectors Comments:

Vendor:

Inspector: Keith

Signature:

Conditions of Service

This report describes the results of external examination of the vehicle, limited road testing, and visual inspection on the day of examination as indicated in the report. Any defects which become apparent at a later stage or which can only be identified by dismantling any part of the vehicle will not be discovered by this inspection and provided we have acted with reasonable care and skill, we will not be responsible.

This report is supplied for the benefit of the customer named above. If this service is for the purpose of a business the provisions of the Consumer Guarantees Act are excluded, and our liability to the customer for whatever reason will be limited to the cost of the inspection only.

Signature of Customer or customers agent: _____

Date: _____

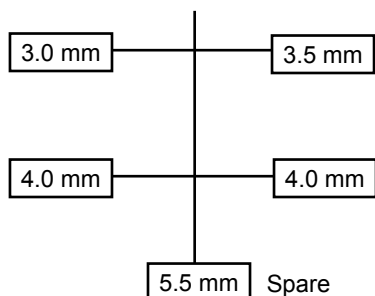


Pre Purchase Inspection

1999 HONDA LEGEND

Reg:TEST

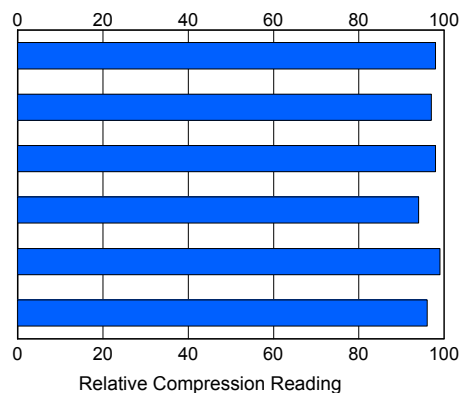
Tyre Condition



Space Saver type spare tyre fitted

Legal Minimum 1.5mm for Standard Tyres,
4mm for Snow Tyres

Relative Compression Test



Relative compression readings
acceptable for age and mileage of
vehicle

Additional Information

Has Timing Belt: YES

We suggest that you check the vehicle service records to ensure that the camshaft timing belt fitted to this vehicle is still within its service limits.

Road Test Conditions: Warm

Test Speed Range: 40-50 km/h

TK Test Results: Negative - No Hydrocarbons detected

Defects Found During Inspection

Potential WoF defects requiring urgent attention

Braking System

Pedal Assembly: Rubber pad missing

Exhaust

Assembly Muffler: Leaking

Defects requiring urgent attention

Transmission

Assembly 1st Gear Performance: Harsh engagement

Other defects, keep under observation

Cooling System

Radiator Core: Corroded

Driveline

Differential Output Seal: Wetness, Further investigation required

Suspension System

Shock Absorber Left Hand Front MacPherson Strut: Leaking Oil

Ask us about AA Vehicle History Check

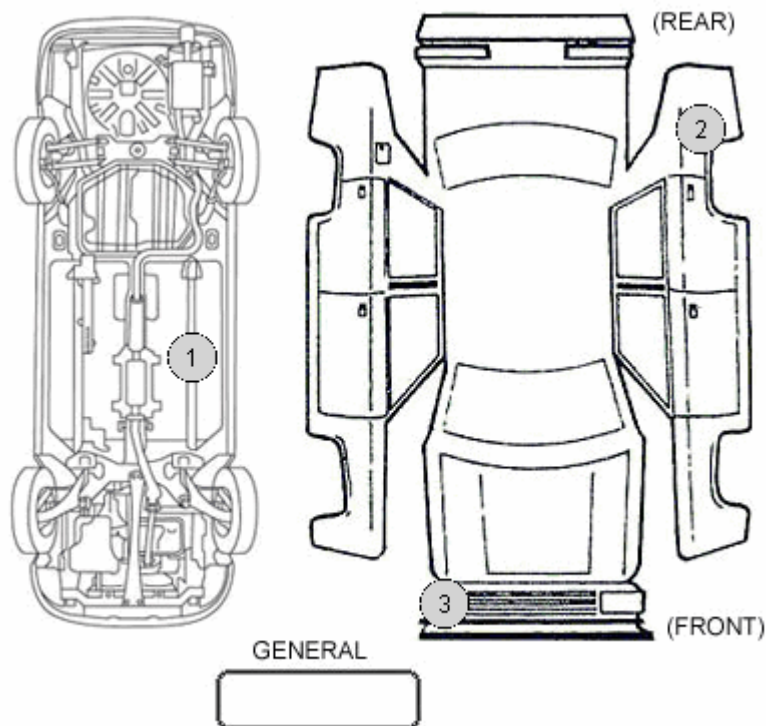


Pre Purchase Inspection

1999 HONDA LEGEND

Reg:TEST

Body Condition



Body Condition Comments

- 1 Underbody grounding damage
- 2 Dent in body panel
- 3 Lamp output dull

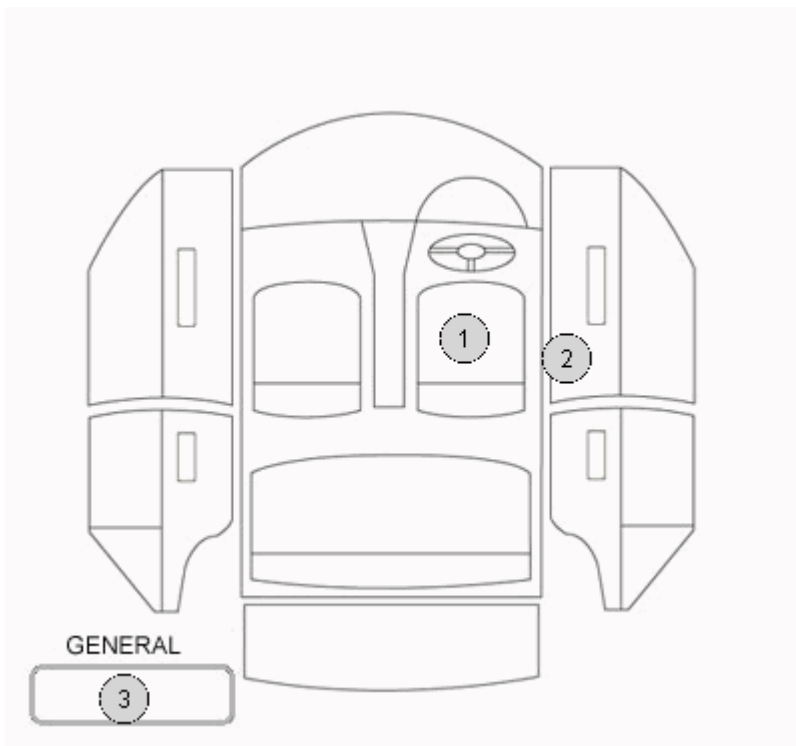


Pre Purchase Inspection

1999 HONDA LEGEND

Reg:TEST

Interior Condition



Interior Condition Comments

- 1 Upholstery general wear and tear
- 2 Upholstery holed
- 3 Miscellaneous marks on the upholstery



Pre Purchase Inspection

1999 HONDA LEGEND

Reg:TEST

Items Covered By This Inspection As Applicable

Braking System

- 1 ABS
- 2 Handbrake
- 3 Hose Assembly
- 4 Master Cylinder
- 5 Pedal
- 6 Pipe Assembly
- 7 Proportioning Valve
- 8 Road Test
- 9 Vacuum Pump
- 10 Wheel Assembly

Cooling System

- 11 Radiator
- 12 Water Pump (Where Visible)
- 13 Thermostat
- 14 Management
- 15 Oil Cooler

Driveline

- 16 Driveshaft
- 17 Axle
- 18 Differential

Electrical

- 19 Battery
- 20 Lighting
- 21 Starter
- 22 Ignition
- 23 Alternator
- 24 Instruments
- 25 Horn
- 26 Accessories
- 27 Wiring
- 28 Window Assembly
- 29 Switch Assembly
- 30 Windscreen Washer
- 31 Windscreen Wiper

Engine

- 32 Air Filter
- 33 Noise
- 34 Roadtest
- 35 Assembly
- 36 Lubrication
- 37 Tappet Cover
- 38 Valley Cover
- 39 Side Cover
- 40 Sump
- 41 Timing Cover
- 42 Bellhousing
- 43 Head

- 44 Block
- 45 Mounting
- 46 Super Charger
- 47 Turbo Charger
- 48 Intercooler
- 49 Management System

Entrance and Exit

- 50 Door Assembly
- 51 Hatch Assembly
- 52 Bonnet Assembly

Exhaust System

- 53 Assembly
- 54 Road Test

Fuel System

- 55 Tank
- 56 Hose Assembly
- 57 Pipe Assembly
- 58 Filter
- 59 Pump
- 60 Injector
- 61 Carburettor
- 62 Alternate Fuel
- 63 Management

Heating and Ventilation

- 64 Air Conditioning
- 65 Heater

Interior

- 66 Boot
- 67 Tools and Accessories
- 68 Seat Belt
- 69 Spare Wheel Compartment
- 70 Roof
- 71 Cabin Ancillaries
- 72 Cargo Bay

Miscellaneous Items

- 73 Accessories

Road Test Conditions

- 74 Tested Speed
- 75 Conditions

Steering

- 76 Box
- 77 Bevel Box
- 78 Column
- 79 Drag Link
- 80 Drop Arm
- 81 Idler
- 82 Power Assist

- 83 Rack
- 84 Road Test
- 85 Tie Rod
- 86 Wheel
- 87 Universal Joint
- 88 Stop

Structure

- 89 Body Assembly
- 90 Chassis

Suspension

- 91 Axle
- 92 Spring Assembly
- 93 Shock Absorber
- 94 Control Arm
- 95 Radius Rod
- 96 Strut
- 97 Trailing Arm
- 98 Anti Sway Bar
- 99 Anti Sway Bar Link
- 100 Watts Link
- 101 Panhard Rod
- 102 Road Test

Towing Connections

- 103 Tow Bar

Transmission

- 104 Assembly

Tyres Wheels and Hubs

- 105 Hub
- 106 Tyre
- 107 Wheel

Vision

- 108 Rear View Mirror
- 109 Sun Visor
- 110 Windscreen Wiper
- 111 Windscreen Washer
- 112 Glazing



Pre Purchase Inspection

1999 HONDA LEGEND

Reg:TEST

Terms and Conditions

This report, which constitutes a contract, is between the AA and the person who is named on this report. The AA is under no contractual obligations to supply information or copies of this report to a third party. Your AA Vehicle Inspection report can only relate to the condition of the vehicle at the time of inspection. The condition of a vehicle can change due to factors such as normal wear and tear, driver abuse or neglect, or unforeseen deterioration of some internal components.

The AA reserves the right to disclose information to a third party on any potential safety issues regarding the vehicle which are identified by this inspection.

Your AA Vehicle Inspection is based on the external examination of components. Due to the time and cost involved, it is not feasible for us to dismantle component assemblies to measure internal parts. These are evaluated by such factors as noise, operation and performance on the road.

An AA Pre-Purchase Vehicle Inspection is carried out for the prospective purchaser of a vehicle. It will not tell you everything you need to know about a vehicle. Our inspectors will carry out a visual and operating inspection, and check the general state of the vehicle at the time of inspection. The inspection report will not tell you about hidden defects, intermittent problems, problems which can't be identified on a visual inspection or unless parts of the vehicle are dismantled, or which become manifest after inspection.

We do not perform computer, electrical or mechanical diagnosis. The inspection report will not identify whether any of the systems or parts of the vehicle will continue to operate acceptably or are acceptable at the time of purchase.

Provided we have acted with reasonable care and skill, we will not be responsible for any defects or problems with the vehicle that are not identified or identifiable with an inspection of this kind.

Any documents listed on the inspection reports, such as the vehicle manual, maintenance records, damage reports and repair records, are listed only to tell you that we understand that they are available. Other people provide these documents and we have not reviewed them. We are not liable for the accuracy or completeness of any information in these documents.

The inspection report does not contain information about the registration, liens or finance secured over the vehicle, or ownership of the vehicle as at the date of the check. You must check these for yourself on the day of purchase. Further information is available by purchasing an AA Vehicle History Check, and also a AA Vehicle Valuation Report either from the AA Web Site www.aa.co.nz or phone 0800 500 333.

Because this is a limited inspection, we do not warrant the condition of the vehicle at the time of purchase. You will still have to make up your own mind. There are many factors that should be taken into consideration when purchasing a used vehicle. For further protection you may wish to consider purchasing a Mechanical Warranty Insurance policy.